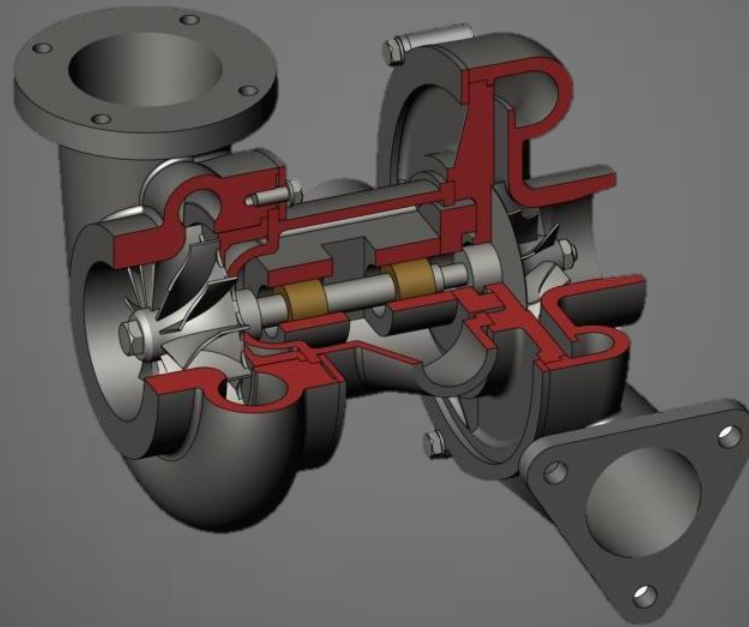


Jeremy Dickson

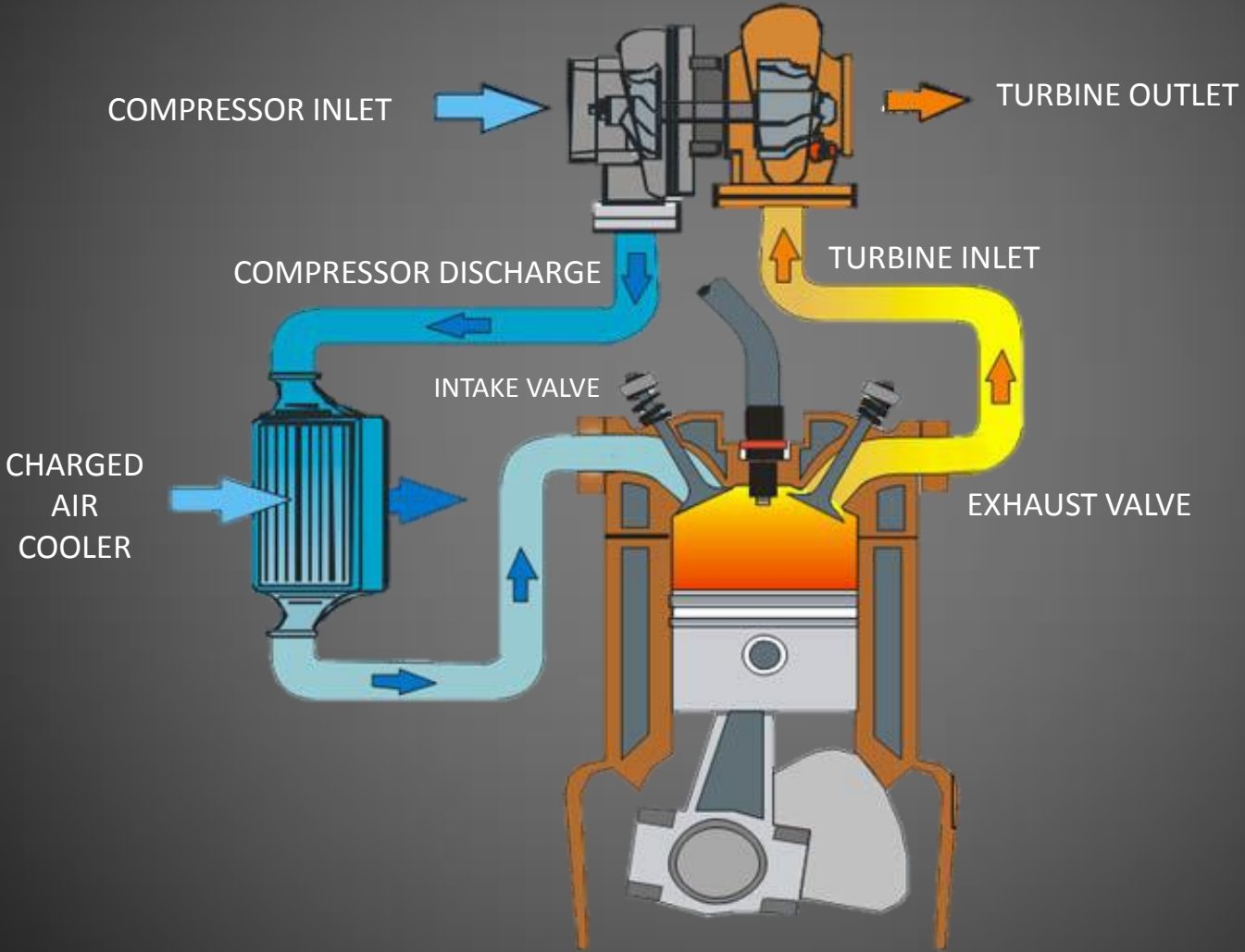
Junior

Mechanical Engineering Tech

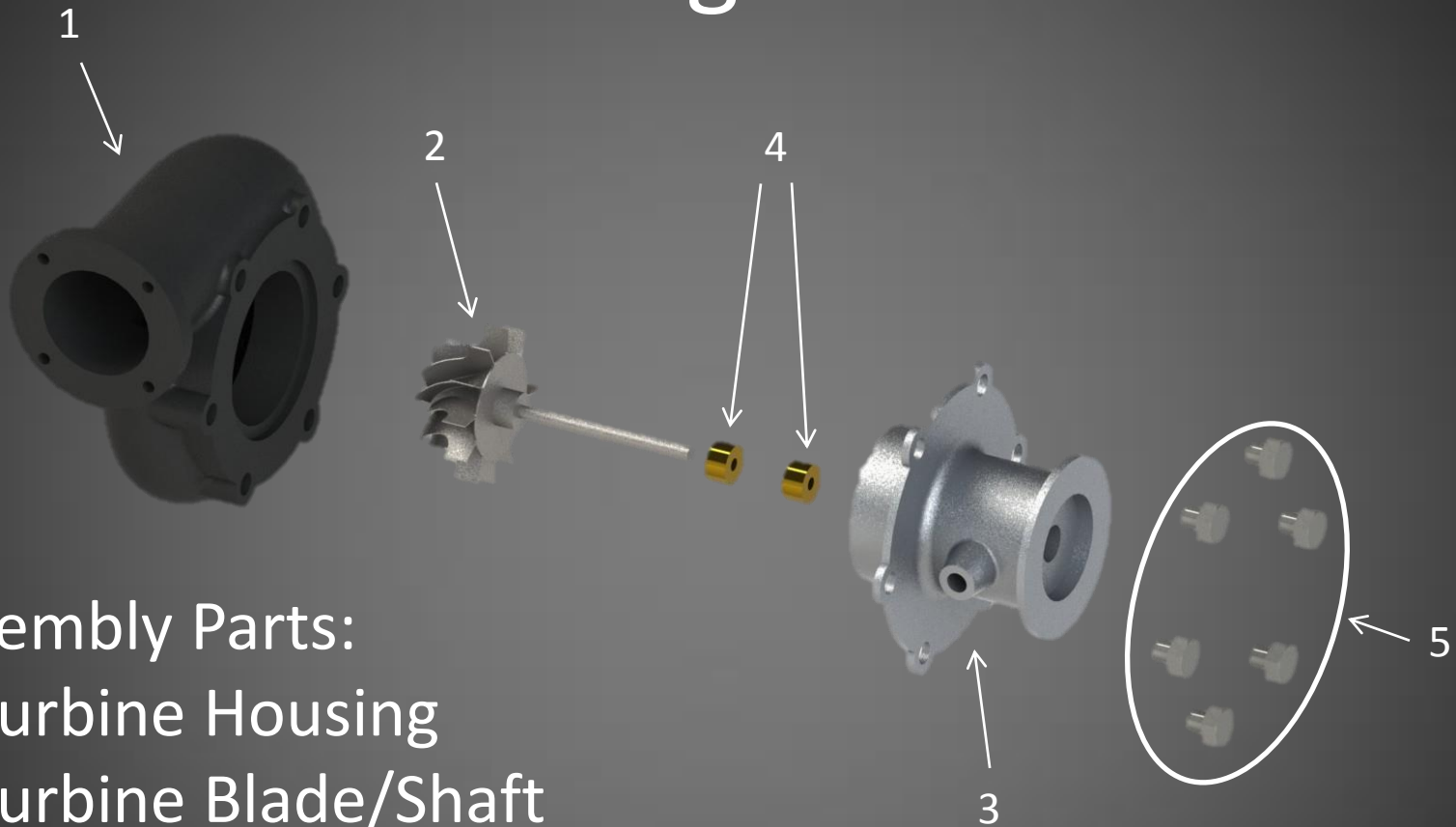


TURBOCHARGER TURBINE

How a Turbocharger Works



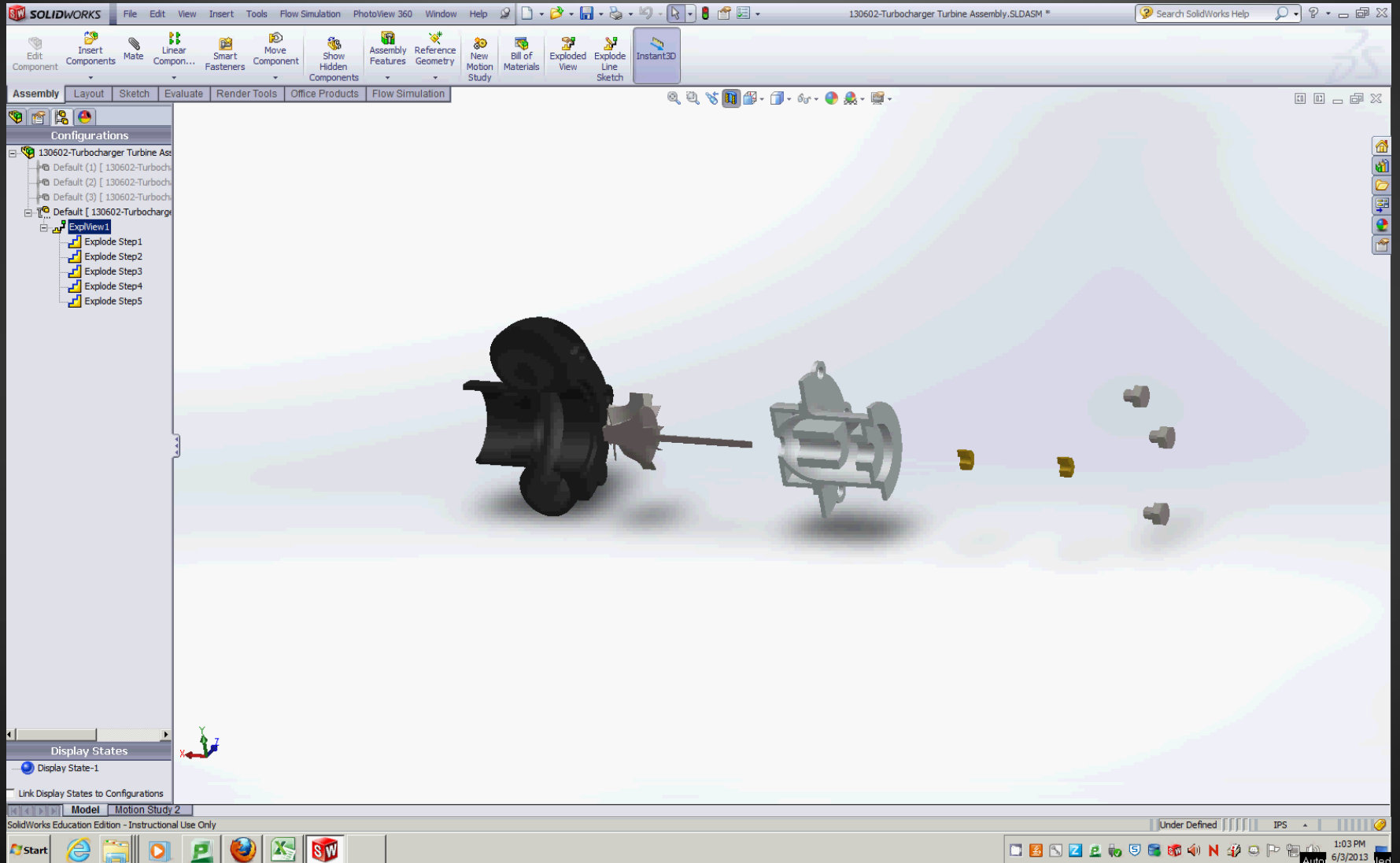
Turbocharger Turbine



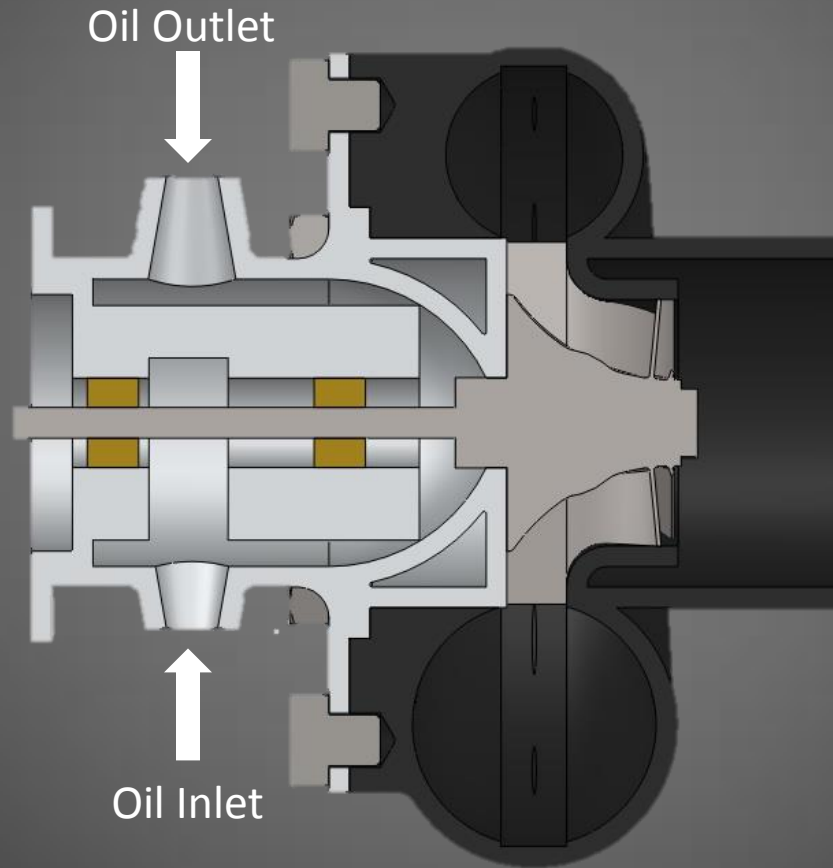
Assembly Parts:

1. Turbine Housing
2. Turbine Blade/Shaft
3. Bearing Housing
4. Bearings
5. Mounting Bolts

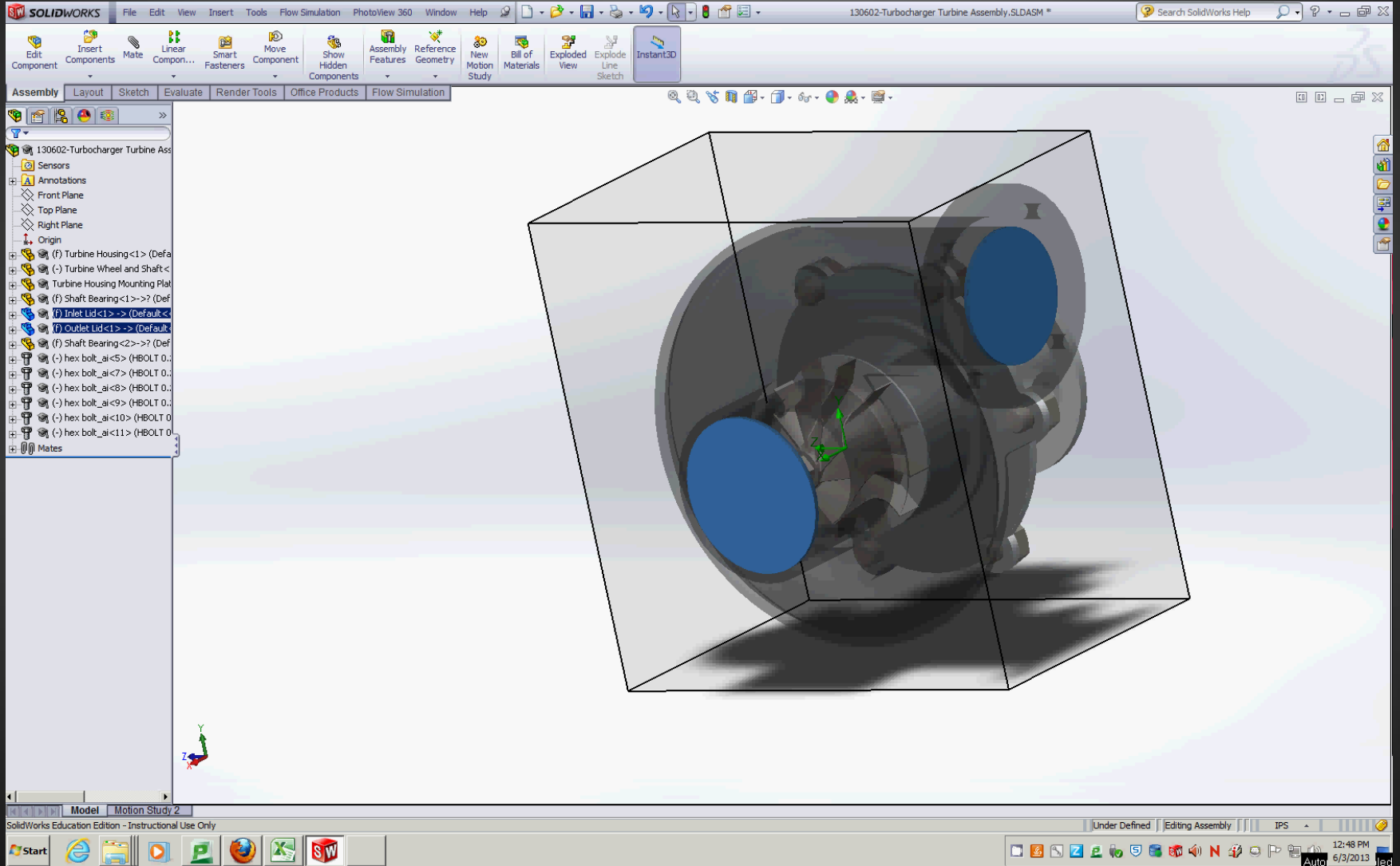
Assembly Tour



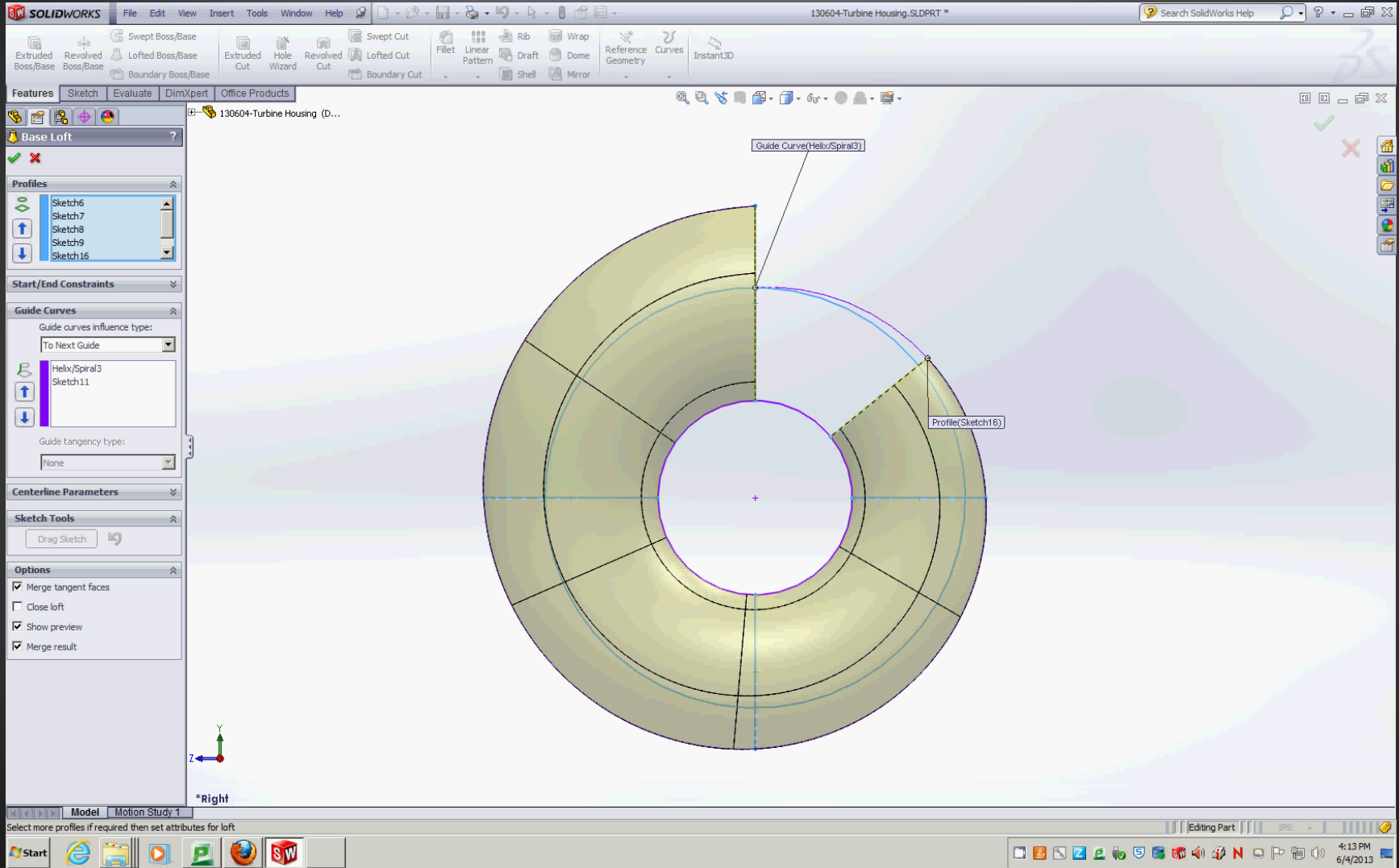
Bearing Housing Cross Section

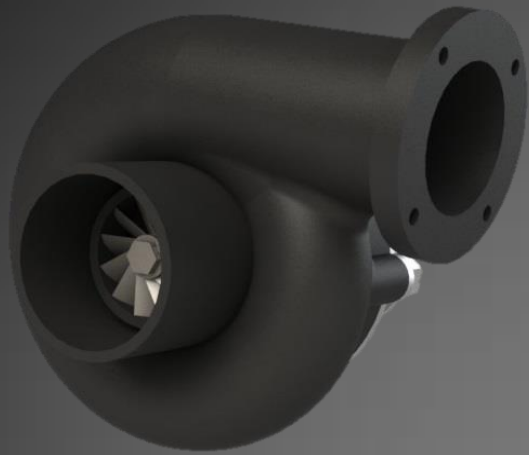


Fluid Simulation



Turbine Housing Nautilus Shell Feature





THANK YOU

